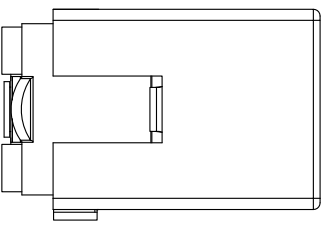
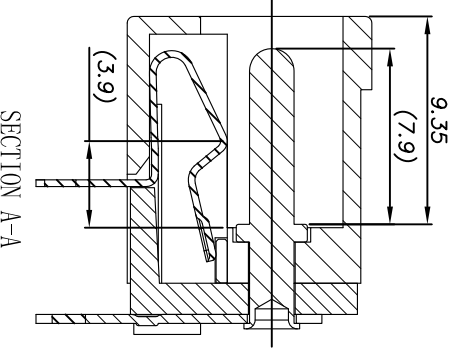
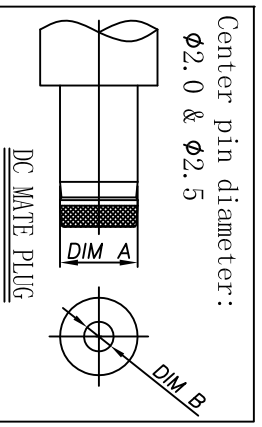
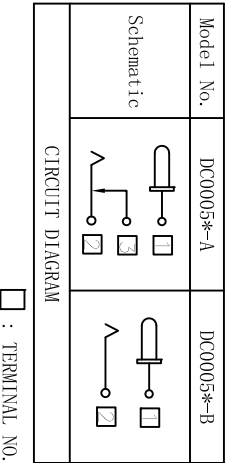


RECOMMENDED P.C.B. LAYOUT
UNSPECIFIED TOLERANCE: ±0.05
(BOTTOM VIEW)

Ordering information:
DC00005Y-□ □
(1) : Series No.
(2) : Schematic option: A, B
(3) : Center pin diameter:
H=φ2.0, J=φ2.5

Model No.	DC00005Y- <u> </u>	DC00005Y- <u> </u>
PIN	φ2.0	φ2.5
DIM A	φ5.5±0.05	φ5.5±0.05
DIM B	φ2.05±0.05	φ2.55±0.05



Specification:

- Rating : DC 20V 4A;
- Contact resistance: ≤30mΩ;
After test: ≤50mΩ
- Insulation resistance: ≥100MΩ (500VDC);
After test: ≥50MΩ
- Withstand voltage: 500VAC ;
- Insertion and extraction force: 3N~30N;
- Life test: 5000cycles MIN.;
- Operation temperature range:-20℃~70℃
- Preservative temperature range:-40℃~85℃

REV.	Q'TY	ECN. NO.	REASON&CONTENTS	SIGN	DATE
01	0		New Release	PJ	2017.11.27

NO.	DESCRIPTION	Q'TY	MATERIAL	REMARK
③	Shunt Terminal	1	Brass t=0.35	Tin plating
⑤	Tip spring	2	Phosphor bronze t=0.30	Tin plating
④	Center pin terminal	1	Brass t=0.40	Tin plating
③	Center pin	1	Brass	Ni plating
②	Cover	1	Thermoplastic	See P/N ordering info
①	Housing	1	Thermoplastic	See P/N ordering info

UNIT:MM	TOLERANCE	TYPE:	MODEL NO.:	DRAWING TYPE:
	DIMENSIONS	DC POWER JACK	DC00005Y- <u> </u>	CUSTOMER DRAWING
	.X ±0.38		DRAWING No.:	SCALE: VER.:
	.XX ±0.30		BSCR-0000-0***	N/A 01
	.XX ±0.15			PAGE: 1/1
	.XX ±2°			

THIS DOCUMENT IS THE SOLE PROPERTY OF Bsun ELECTRONICS CO., LTD. AND SHOULD NOT BE USED IN WHOLE OR IN PART WITHOUT PRIOR WRITTEN PERMISSION.

DESIGNER BY: _____
CHECK BY: _____
APPROVED BY: _____

承永實業有限公司
BLUE SOURCES ELECTRONICS CO.,LTD.